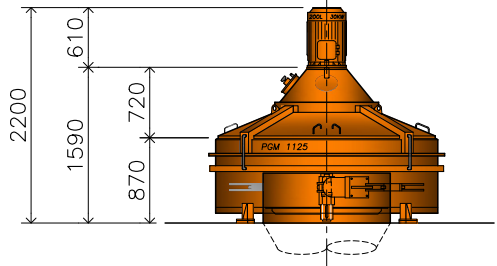
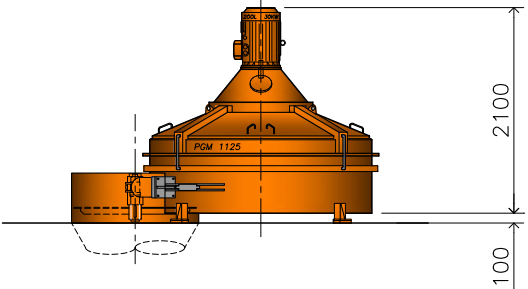
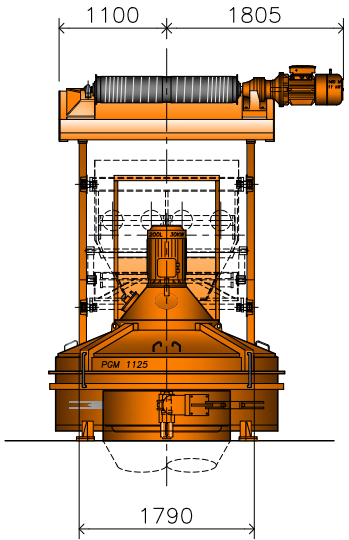
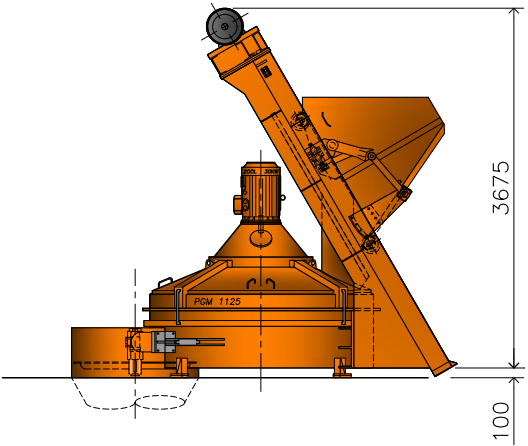
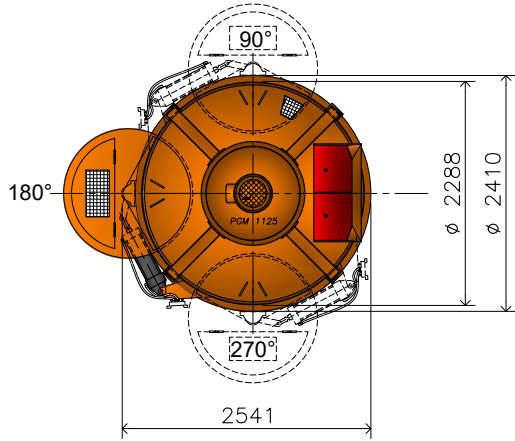


Taurus Planetary Countercurrent Mixer

PGM 1125 - 750



Technical data Planetary Mixer Taurus PGM 1125 / 750

Dry filling capacity	Ltr	1125
Output per batch, compacted	Ltr	750
Mixer drive motor	kW	30
Mixing stars	n°	1
Mixing shovels / mixing star	n°	2
Mixing shovels width	mm	4 x 510
Side scrapers	n°	1
Side scrapers width	mm	480
Speed of rotor	Rpm	13,3
Speed of mixing stars	Rpm	30,3
Water spray nozzles	n°	8
Weight of mixer	kg	3600

Technical data Skip-Hoist Taurus PGM 1125 / 750

Dry filling capacity	Ltr	1125
Max filling weight	kg	1650
Hoist drive motor	kW	11
Speed of hoist up / down	n°	0,4 / 0,8
Dia. of hoisting wire	mm	11

